

**Fig No: WA-001**

1/2" ~ 8" DN15 ~ DN200



**Features :**

- Investment casting component
- Horizontal or Vertical Installation.
- Low Pressure Drop
- For General Chemical and Industrial Application

**Standard Compliance :**

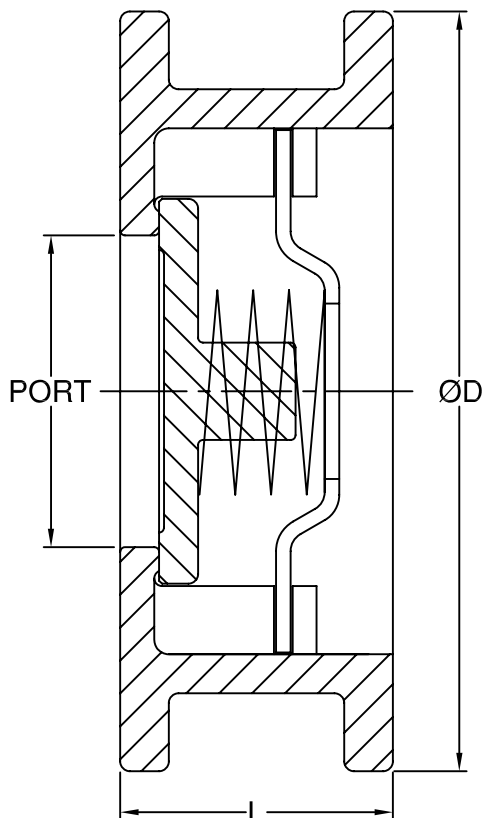
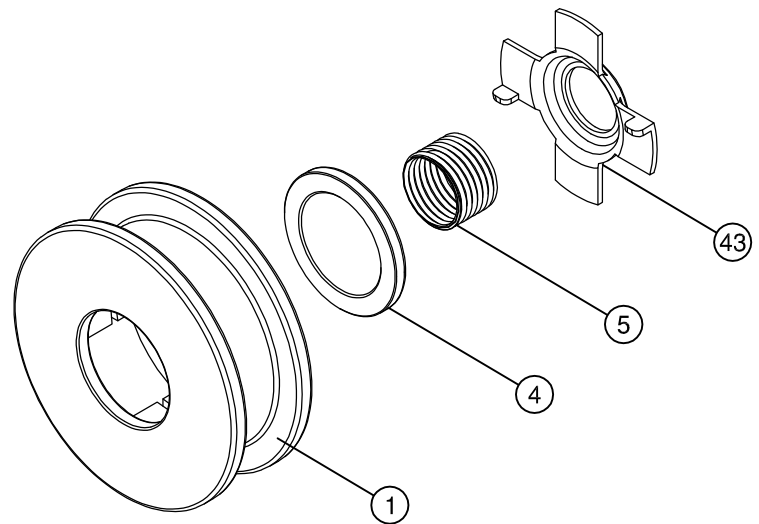
- Body wall thickness : EN 12516-1
- Body material : EN 10213-4
- Face to Face : DIN 3202 K4
- Pressure testing : EN 12266

**Specification :**

- Working pressure : 38.8 bar for DN15- DN100  
24.3 bar for DN125- DN200
- Temperature : -20 ~ 180°C

**MATERIALS LIST**

NO.	PART NAME	MATERIAL
1	BODY	1.4408 / EN1503-1
4	DISC	1.4408 / EN1503-1
5	SPRING	SS316
43	HOLDER	SS316



**DIMENSIONS**

		unit:mm		
SIZE	PORT	L	ØD	
DN15	1/2"	15.0	16.0	45.0
DN20	3/4"	20.0	19.0	58.0
DN25	1"	25.0	22.0	68.0
DN32	1-1/4"	32.0	28.0	78.0
DN40	1-1/2"	40.0	31.5	88.0
DN50	2"	50.0	40.0	102.0
DN65	2-1/2"	65.0	46.0	122.0
DN80	3"	80.0	50.0	138.0
DN100	4"	100.0	60.0	158.0

**Fig No: WA-001**

1/2" ~ 8" DN15 ~ DN200



**Features :**

- Investment casting component
- Horizontal or Vertical Installation.
- Low Pressure Drop
- For General Chemical and Industrial Application

**Standard Compliance :**

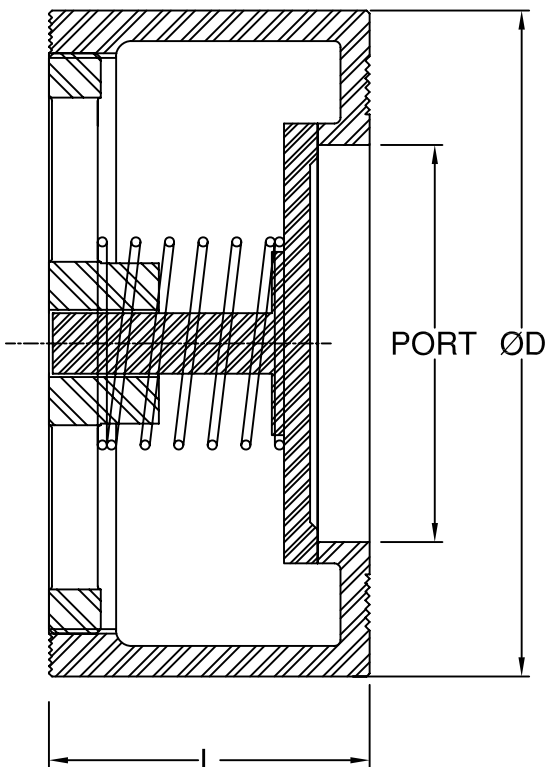
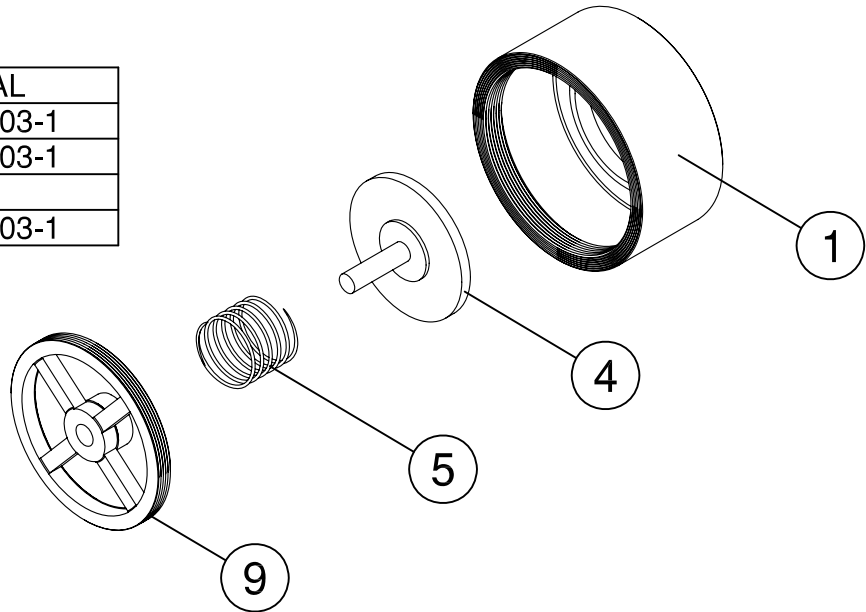
- Body wall thickness : EN 12516-1
- Body material : EN 10213-4
- Face to Face : DIN 3202 K4
- Pressure testing : EN 12266

**Specification :**

- Working pressure : 38.8 bar for DN15- DN100  
24.3 bar for DN125- DN200
- Temperature : -20 ~ 180°C

**MATERIALS LIST**

NO.	PART NAME	MATERIAL
1	BODY	1.4408 / EN1503-1
4	DISC	1.4408 / EN1503-1
5	SPRING	SS316
9	CAP	1.4408 / EN1503-1



**DIMENSIONS**

unit:mm

SIZE	PORT	L	ØD
DN125	5"	105.0	90.0
DN150	6"	106.0	218.0
DN200	8"	170.0	273.0