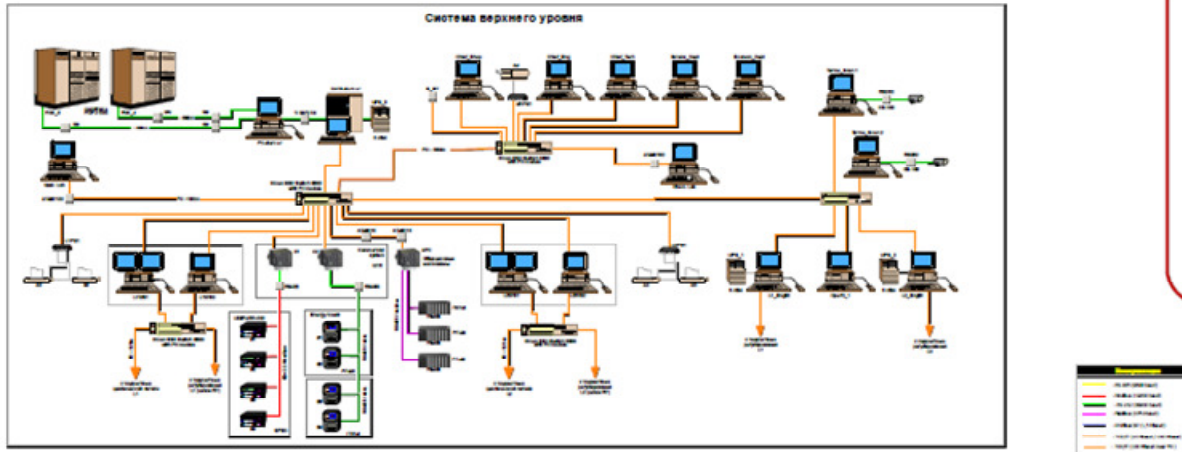


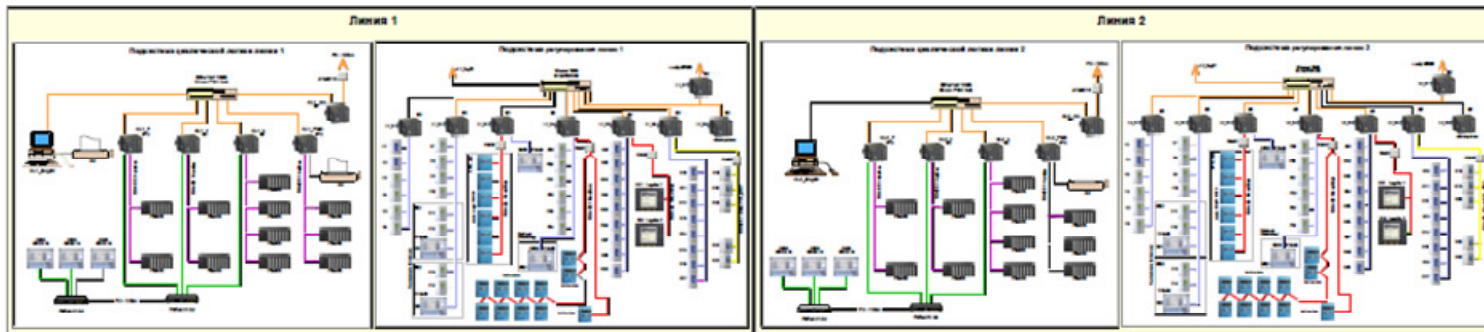
Distributed Process Control System for Iron-ore Pellets Plant

Main features:

Total tech.objects	512
Analog Inputs	750
PID control loops	160
Digital In/Outputs	4 500
Total PLCs	110
Year	2000



Operator Main Control Room



PLC control cabinets



SCADA screenshots



Field level

